

1. Scope

The present specifications shall apply to a RU4DS.

2. Outline

Type	Silicon Diode	
Structure	Resin Molded	Flammability:UL94-V0(Equivalent)
Applications	High Frequency Rectification, etc.	

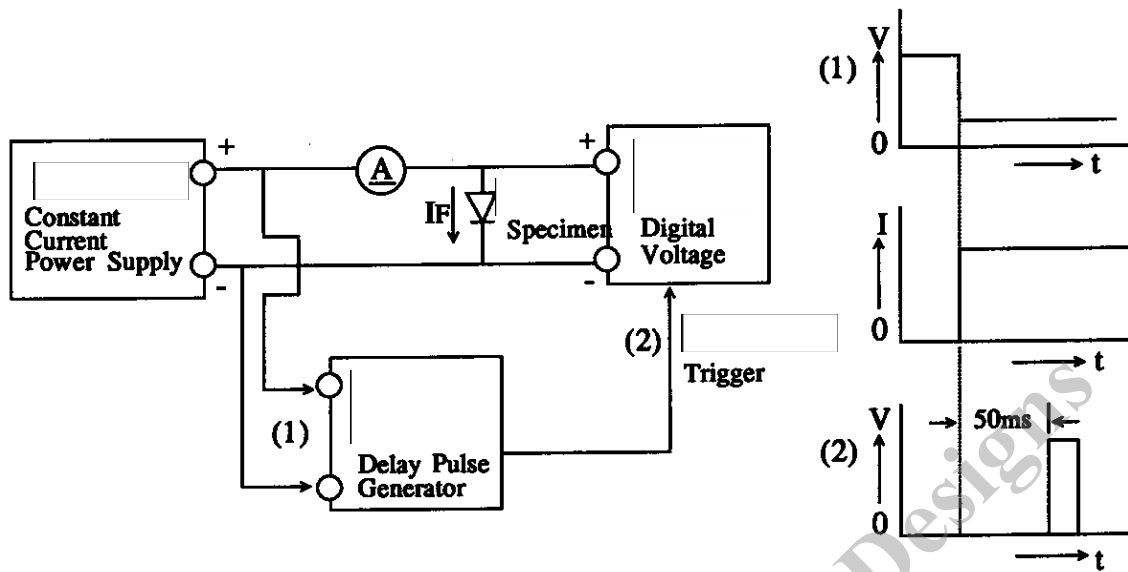
3. Absolute maximum ratings

No.	Item	Symbol	Unit	Rating	Conditions
1	Transient Peak Reverse Voltage	V_{RSM}	V	1350	
2	Peak Reverse Voltage	V_{RM}	V	1300	
3	Average Forward Current	$I_{F(AV)}$	A	1.5 (Ta=60°C)	With out Fin
				2.5 (Ta=60°C)	With Fin
Refer to 6					
4	Peak Surge Forward Current	I_{FSM}	A	50	10msec. Half sinewave, one shot
5	Junction Temperature	T_j	°C	-40 ~ +150	
6	Storage Temperature	T_{sig}	°C	-40 ~ +150	

4. Electrical characteristics (Ta=25°C, unless otherwise specified)

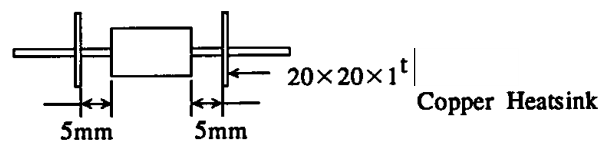
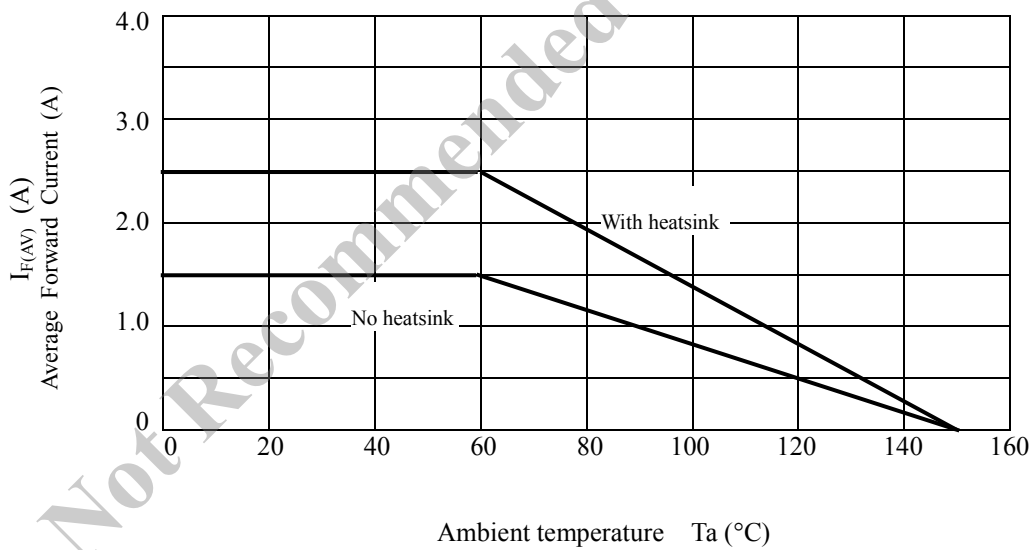
No.	Item	Symbol	Unit	Value	Conditions
1	Forward Voltage Drop	V_F	V	1.80 max.	$I_F=3.0A$
2	Reverse Leakage Current	I_R	μA	50 max.	$V_R=V_{RM}$
3	Reverse Leakage Current Under High Temperature	$H \cdot I_R$	μA	500 max.	$V_R=V_{RM}$, $T_j=100^\circ C$
4	Reverse Recovery Time	T_{rr-1}	μs	0.4 max.	$I_F=I_{RP}=0.1A$, $T_a=25^\circ C$ 90% Recovery point
		T_{rr-2}	μs	0.18 max.	$I_F=0.1A$, $I_{RP}=0.2A$, $T_a=25^\circ C$ 75% Recovery point
5	Thermal Resistance	$R_{th(j-l)}$	°C/W	8 max.	Between Junction and Lead

5. V_F test and test circuit



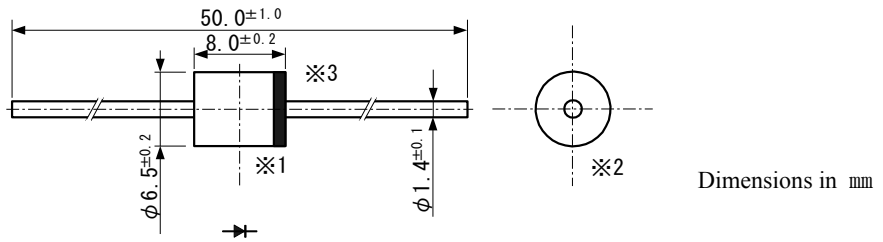
6. Derating

Derating to the ambient temperature.
Power loss generated by voltage is not taken into consideration.



7. Package information

7-1 Package type, physical dimensions and material



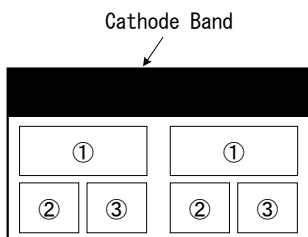
- *1 Wire diameter of lead tips is φ1.55mm(max.)
- *2 The allowance position of body against the center of whole lead wire is 0.5mm (max.)
- *3 The centric allowance of lead wire against center of physical body is 0.3mm (max.)
- *4 The burr may exit up to 2mm from the body of lead

7-2 Appearance

The body shall be clean and shall not bear any stain, rust or flaw.

7-3 Marking

① Type number RU4DS



② Lot number 1
 First digit : Last digit of year
 Second digit : Month
 From 1 to 9 for Jan. to Sep.
 O for Oct., N for Nov., and D for Dec.

③ Lot number 2 (ten days)
 · : Top of the month
 ·· : Middle of month
 ··· : End of month

The Type number and Lot number are to be marked in red.

Not Recommended for New Designs